

TACTICAL PRODUCT CATALOG



PISTOL 9X19MM



STANDARD BLACK
C9



ULTIMATE GREEN CAMO
C9
OPTIC READY
LONG BARREL



SUBCOMPACT
C9

C9

PISTOL 9X19MM



TECHNICAL DATA	C9
Calibre	9x19 mm
Magazine Capacity	15 rounds
Trigger Weight	2– 2.5 kg
Dimensions	
Length	183mm/7.2"
Height	133mm/5.23"
Width	34mm/1.34"
Barrel Length	102mm/4.01"
Weight (g-lb)	
Empty Magazine	706gr/1.55lb
Full Magazine	940gr/ 2.07lb

C9

ALL GLOCK GEN4 19 Interchangeable Parts



FULLY AUTOMATIC LIGHT MACHINE GUN

5.56X45 NATO



MFR56

FULLY AUTOMATIC LIGHT MACHINE GUN

5.56X45 NATO



MFR56

TECHNICAL DATA	MFR56
Calibre	5.56x45 mm
Barrel Length	412 mm/ 16.20"
Rifling	177,8mm / 1/7"
Method Of Operation	Gas Operated Reloading
Muzzle Velocity	850 m/s
Trigger Pull	15-30 Newton
Effective Range	550 m
Weight Unloaded	4,250 g / 9,35lbs
Accuracy	3 MOA
Buffer Type	MIL-SPEC H2 Buffer
Frame	AL 7075-T6
Length	Open Stock 860 mm
Height	243 mm/ 9,56"
Width	77,6 mm/ 3,05"
Belt Type	M27 Belt
Belt Type	700-900 cycle/minute

SEMI AUTOMATIC RIFLE

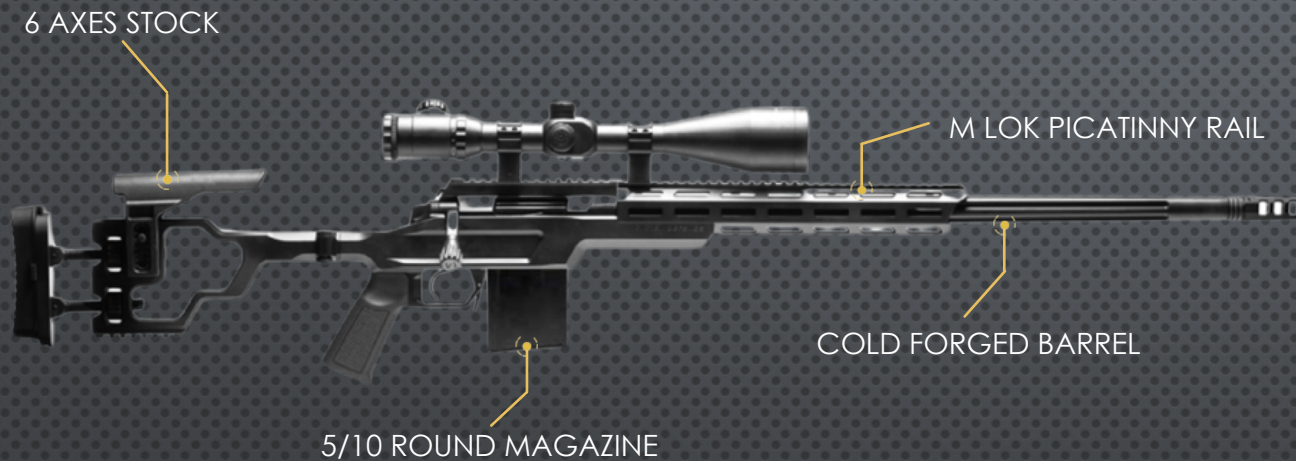
5.56X45 NATO



R56

TECHNICAL DATA	R56
Calibre	5.56x45 mm
Barrel Length	QCB / 14.5" - 16" Length
Rifling	177,8mm / 1/7"
Method Of Operation	Gas Operated Reloading
Muzzle Velocity	850 m/s
Trigger Pull	20 - 40 Newton
Effective Range	550 m
Weight Unloaded	3,650 g / 8.05 lbs
Accuracy	3 MOA
Buffer Type	MIL-SPEC H3 Buffer
Frame	AL 7075-T6
Length	Open Stock 755 mm
Height	243 mm/ 9,56"
Width	77,6 mm/ 3,05"
Belt Type	M27 Belt
Belt Type	700-900 cycle/minute

SNIPER 7.62 X 51 MM NATO - 0.308 WIN

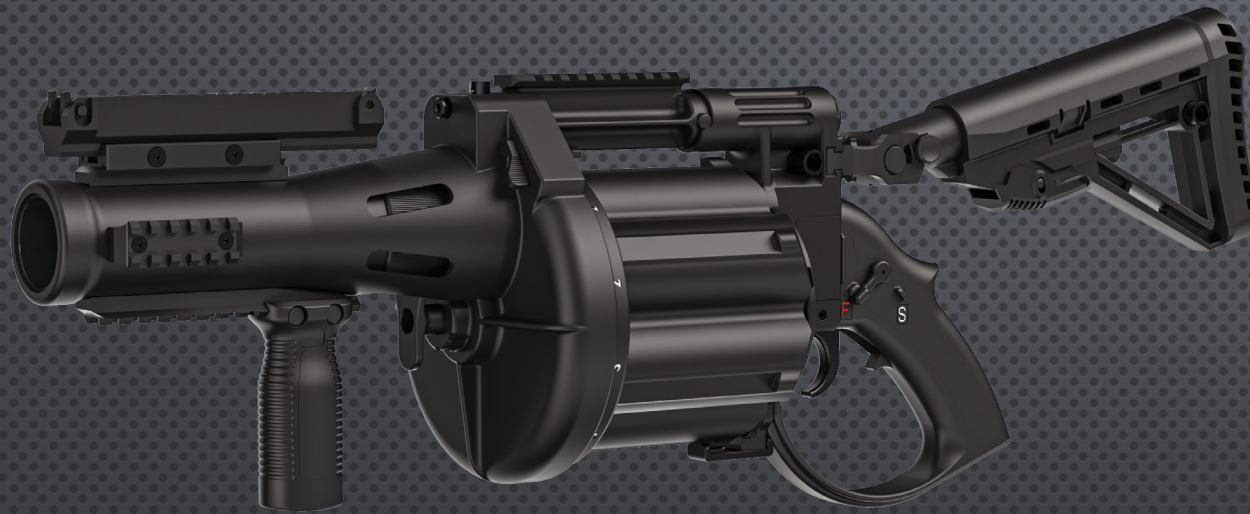


TECHNICAL DATA	R56
Calibre	7.62X51 mm NATO-0.308win
Barrel Length	508 mm / 20"
Operation	Bolt Action
Muzzle Thread	5/8-28 UNEF-A2
Trigger Type	2 Stage Adjustable
Trigger Pull	0.8 kg – 1.5 kg
Effective Range	550 m
Weight Unloaded	3,650 g / 8.05 lbs
Accuracy	20 MOA
Length (Stock folded)	915 mm
Length (Stock unfolded)	1165mm
Length (Stock extended)	1210 mm
Height	195 mm
Barrel Twist Rate	1:10" – 1:254 mm 5 Grooves right
Accessories	M1913

SSR308



40 MM MULTIPLE GRENADE LAUNCHER



MGL

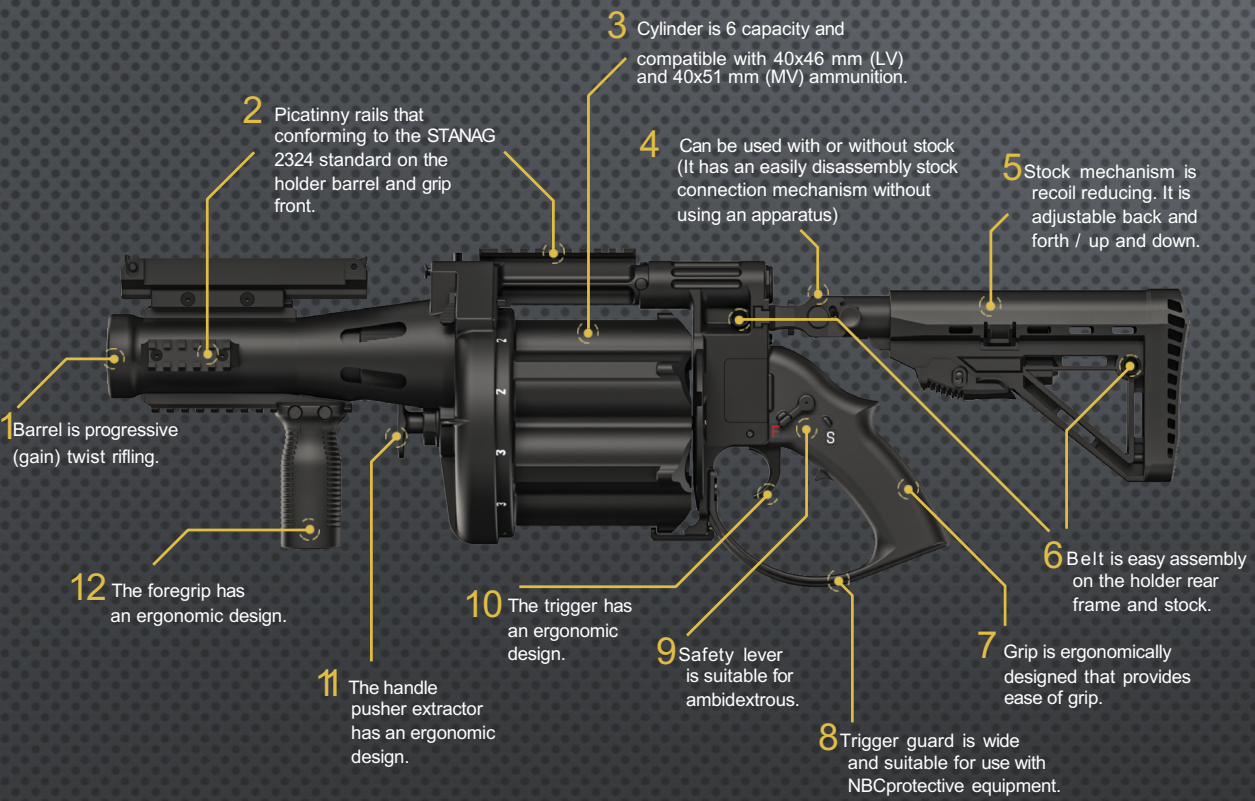
TECHNICAL DATA	RDS40 - MGL
Calibre	40x46 mm (Low Velocity = LV) 40x46 mm (Extended Range Low Velocity = ERLV) 40x51 mm (Medium Velocity = MV)
Length of Barrel	250 mm
Cylinder Length	140 mm
Length (Stock Collapsed)	724 mm
Length (Stock Extended)	758 mm
Weight (Empty Without Sight, Unloaded)	5.50 kg
Height (Empty Without Sight)	229 mm
Width	164 mm
Effective Range	400 m (LV grenades) 600 m (ERLV grenades) 800 m (MV grenades)
Advance Mechanism	Gas Operated
Barrel Type / Rifling	Progressive Gain Twist (Steel Material)
Magazine Type	Rotating Cylinder
Butt Stock Elevation	0° and 30°
Cylinder Capacity	6 Rounds
Mode of Fire	Semi-Automatic and Manual Cycling - Percussion
Method of Operation	Hand-held, Revolving Action, Gas Plug Operating Index Mechanism, Double Action Trigger
Safeties	Ambidextrous Safety Selector, Cylinder Alignment Pin, Firing Pin Block, Cylinder will not advance unless a round is fired

40 MM MULTIPLE ANTI RIOT LAUNCHER



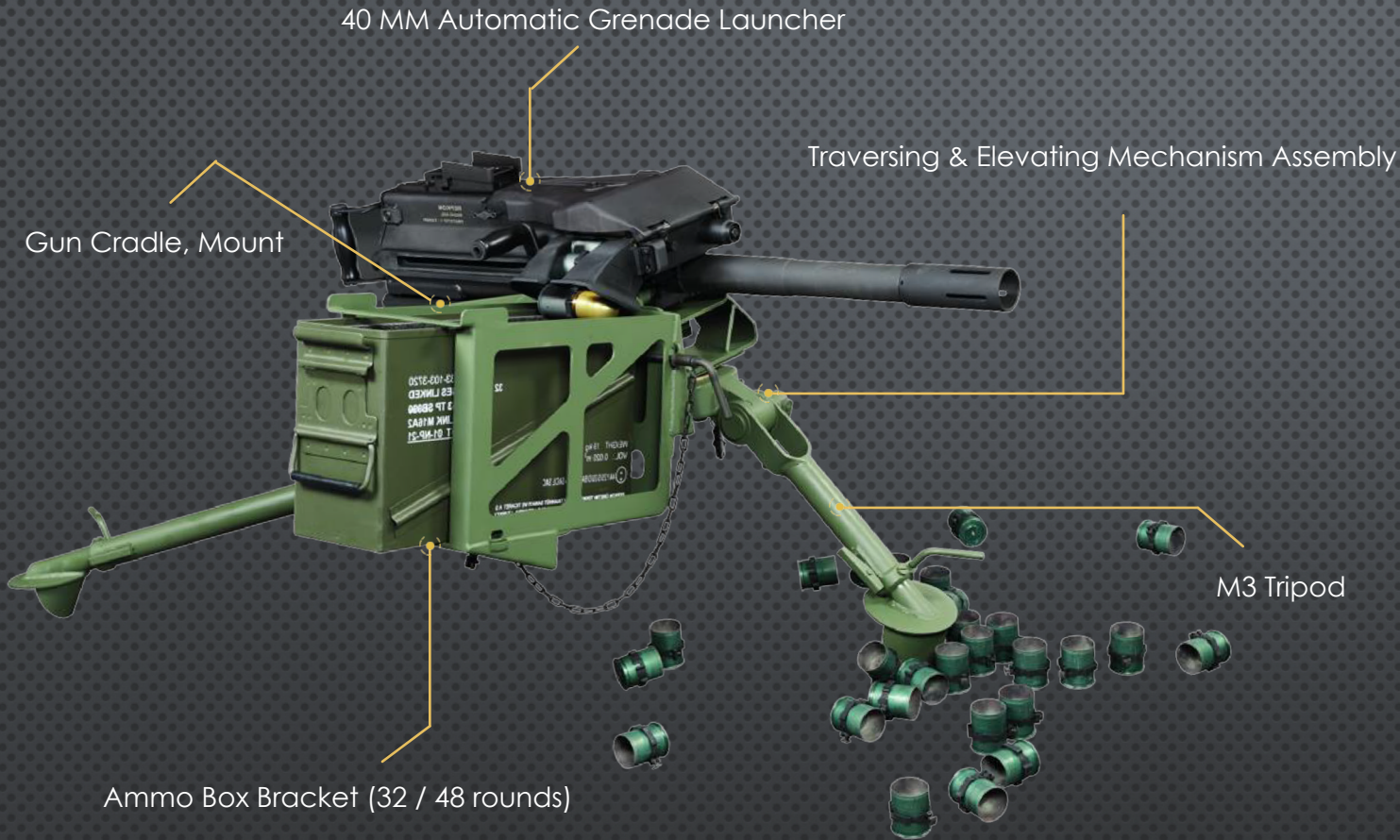
MAR

TECHNICAL DATA	RDS37/38 - MAR
Calibre	37/38 mm Anti Riot Ammunition Only
Length of Barrel	250 mm
Cylinder Length	140 mm
Length (Stock Collapsed)	724 mm
Length (Stock Extended)	758 mm
Weight (Empty Without Sight, Unloaded)	5.30 kg
Height (Empty Without Sight)	229 mm
Width	164 mm
Effective Range	Depending on the Type of Anti Riot Ammunition Used
Advance Mechanism	Gas Operated
Barrel Type	Smooth Bore (Steel Material)
Magazine Type	Rotating Cylinder
Cylinder Capacity	6 Rounds
Butt Stock Elevation	0° and 30°
Mode of Fire	Semi-Automatic and Manual Cycling - Percussion
Method of Operation	Hand-held, Revolving Action, Gas Plug Operating Index Mechanism, Double Action Trigger
Safeties	Ambidextrous Safety Selector, Cylinder Alignment Pin, Firing Pin Block, Cylinder-will not advance unless a round is fired



TECHNICAL DATA	RDS40 - MGL	RDS37/38 - MAR
Calibre	40x46 mm (Low Velocity = LV) 40x46 mm (Extended Range Low Velocity=ERLV) 40x51 mm (Medium Velocity = MV)	37/38 mm Anti Riot Ammunition Only
Length of Barrel	250 mm	250 mm
Cylinder Length	140 mm	140 mm
Length (Stock Collapsed)	724 mm	724 mm
Length (Stock Extended)	758 mm	758 mm
Weight (Empty Without Sight, Unloaded)	5.50 kg	5.30 kg
Height (Empty Without Sight)	229 mm	229 mm
Width	164 mm	164 mm
Effective Range	400 m (LV grenades) 600 m (ERLV grenaedes) 800 m (MV grenades)	Depending on the Type of Anti Riot Ammunition Used
Advance Mechanism	Gas Operated	Gas Operated
Barrel Type / Rifling	Progressive Gain Twist(Steel Material)	Smooth Bore (Steel Material)
Magazine Type	Rotating Cylinder	Rotating Cylinder
Cylinder Capacity	6 Rounds	6 Rounds
Butt Stock Elevation	0° and 30°	0° and 30°
Mode of Fire	Semi-Automatic and Manual Cycling - Percussion	Semi-Automatic and Manual Cycling - Percussion
Method of Operation	Hand-held, Revolving Action, Gas Plug Operating Index Mechanism, Double Action Trigger	Hand-held, Revolving Action, Gas Plug Operating Index Mechanism, Double Action Trigger
Safeties	Ambidextrous Safety Selector, Cylinder Alignment Pin, Firing Pin Block, Cylinder will not advance unless a round is fired	Ambidextrous Safety Selector, Cylinder Alignment Pin, Firing Pin Block, Cylinderwill not advance unless a round is fired

40 MM AUTOMATIC GRENADE LAUNCHER



TECHNICAL DATA	RDS40 - AGL
Calibre	40 MM (40X53)
Length of Barrel	413 MM
Operating Principle	Blowback Operated
Feeding Direction	Left Side Feed, ammunition strips combined with M16A2 Link in boxes of 32 or 48 pieces
Maximum Range	2000 meters +
Maximum effective Range	1500 meters (Point Target) 2000 meters (Area Target)
Rate of Fire	300-375 rounds/minute
Ammunition	HE, HEDP, TP, TPT (40x53 High Velocity - NATO Qualified)
RDS40 – AGL Weight	35 kg
Muzzle Velocity	240 meters/second
RDS40 – AGL Length	1085 mm
RDS40 – AGL Width	337 mm
RDS40 – AGL Height	225 mm
Number of Grooves	24
Accuracy	Deviation at 500 Meters: -a- Horizontal: 1 Meter -b- Vertical: 1 Meter
Method of Operation	

40 MM AUTOMATIC GRENADE LAUNCHER



DESIGN IMPROVEMENTS

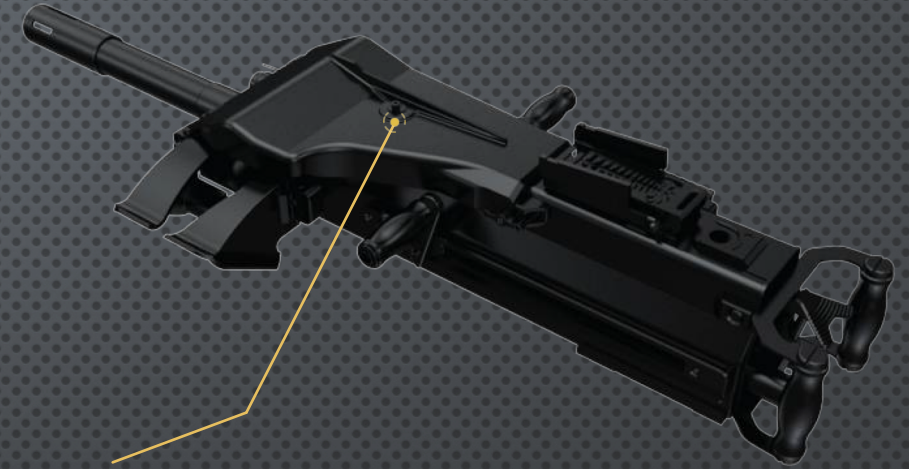
Mechanical Sight / Rear Sight Assembly

Thanks to the newly designed mechanical sight, it is possible to aim at the target much faster. Its effectiveness has been increased with its simplicity.



AMMUNITION PLACEMENT

For loading ammunition, side of links, to prevent user misuse



Adjustable Feeding Time

The user has the capability to set the Feeding Time in the field

AMMUNITION

- 9x19mm
- 5.56x45 mm
- 0.223 Rem
- 7.62x39mm
- 7.62x54mm
- 0.308 mm
- 12.7x99mm

Our ammunition is produced with the highest quality meeting CIP European standards. Second production is met with NATO specs from the middle east.

Only contact us for ready orders.





WORKING PROCEDURES

1. OFFICIAL PURCHASE ORDER FROM END USER INCLUDING :
PRODUCT, QUANTITY AND DELIVERY LOCATION
2. PROFORMA INVOICE
3. PAYMENT TERMS FOR EACH ITEM WILL BE PROVIDED
4. IF NEEDED EUC FOR BALLISTIC ITEMS (IMPORT/EXPORT LICENSE)
5. PAYMENT
6. DELIVERY



TO CONNECT WITH US
SCAN HERE

